

3/8" x 7/32"

Versione (\*) / Type (\*) / Typ (\*) / Tipo (\*)

06B-1 9,525 x 5,72 mm

DIN 8187 ISO/R606

CATENA	CHAIN	KETTE	CHAÎNE	CADENA	ISO mm
Passo	Pitch	Teilung	Pas	Paso	9,525
Larghezza interna	Internal width	Innere Breite	Largeur interieure	Ancho interno	5,720
Rullo ø	Roller ø	Rollen ø	ø du rouleau	Rodillo ø	6,350

PIGNONE	SPROCKETS	KETTENRÄDER	PIGNONS	PIÑONES	
Raggio dente r	Tooth radius r	Radius r	Rayon de denture r	Radio diente r	r 10,0
Larghezza raggio C	Radius width C	Breite C	Largeur de rayon C	Ancho radio C	C 1,0
Largh. Dente h <sub>1</sub>	Tooth width h <sub>1</sub>	Zahnbreite h <sub>1</sub>	Larg. de denture h <sub>1</sub>	Ancho diente h <sub>1</sub>	h <sub>1</sub> 5,3

b-T-M pag. / page 19

Materiale C45E  
UNI EN 10083-1

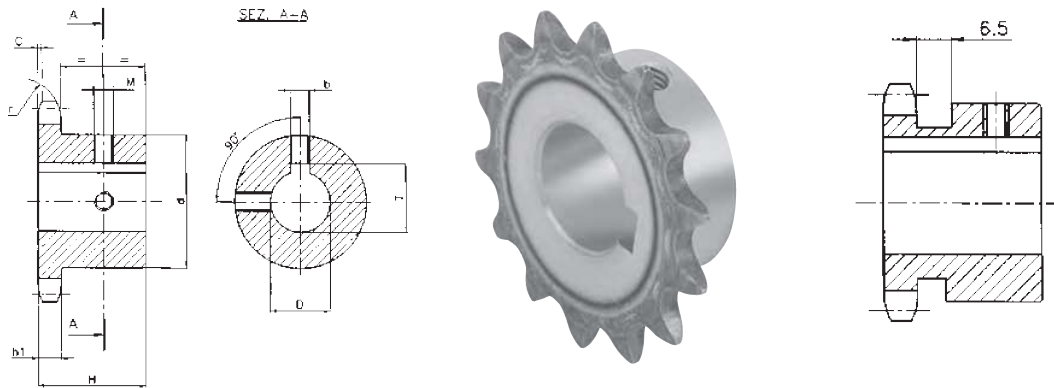
Material C45E  
UNI EN 10083-1

Werkstoff C45E  
UNI EN 10083-1

Matière C45E  
UNI EN 10083-1

Material C45E  
UNI EN 10083-1

Cod.	Z	D	H	d	Cod.	Z	D	H	d	Cod.	Z	D	H	d							
05SA010	10	10	22	24*	05SB416	16	24	28	42*	05SA821	21	18	28	48							
05SA110		11		19																	
05SA210		12		20																	
05SA410		14		22																	
05SA011	11	10	25	24	05SA417	17	14	28	40	05SB221	22	24	28	50							
05SA211		12		26*	05SA517		15			24											
05SA411		14		29*	05SA617		16			25											
05SA511		15		30*	05SA817		18			26											
05SA611	16	31*	05SA917	19	27																
05SA012	12	10	25	25	05SB017	17	20	28	42	05SA622	22	16	28	50							
05SA212		12		26	05SB217		22			24											
05SA412		14		29*	05SB417		24			25											
05SA512		15		30*	05SB517		25			26											
05SA612	16	31*	05SA218	12	43	05SB222	22	24	05SA522	23	15	28	52								
05SA013	13	10	25	28		05SA418			18		14			28	43	05SA822	20	18	28	54	
05SA213		12		29		05SA518					15					19					
05SA413		14		30		05SA618					16					20					
05SA513		15		31*	05SA818	18	21														
05SA613	16	35*	05SA918	19	45	05SB018	22	24	05SA922	24	19	28	57								
05SA813	18	35*	05SB218	20		22															
05SA214	14	12	25	31		05SB418			14		24			28	45	05SB223	24	20	28	60	
05SA414		14		31		05SB518					25					25					
05SA514		15		35*	05SA219	12	46	05SA523		25	28	05SA825	30			16		30			60
05SA614		16		35*	05SA419	14		18													
05SA814	18	35*	05SA519	15	19																
05SA914	19	35*	05SA619	16	20																
05SA215	15	12	25	34	05SA819	19	18	28	45	05SA924	24	19	28	57							
05SA415		14		35	05SA919		19			20											
05SA515		15		36	05SB019		20			21											
05SA615		16		38*	05SB219		22			22											
05SA815	15	18	25	35	05SB419	14	24	28	45	05SB524	25	20	28	60							
05SA915		19		36	05SB519		25			25											
05SB015		20		38*	05SA220		12			46		05SA625			25	28	05SA925	30	18	30	60
05SB215		22		42*	05SA420		14					19									
05SB415	24	42*	05SA520	15	20																
05SB515	25	42*	05SA620	16	21																
05SA216	16	12	28	37	05SA820	20	18	28	46	05SA825	25	18	30	60							
05SA416		14		37	05SA920		19			20											
05SA516		15		37	05SB020		20			21											
05SA616		16		37	05SB220		22			22											
05SA816	16	18	28	37	05SB420	14	24	28	46	05SB525	25	20	30	60							
05SA916		19		37	05SB520		25			25											
05SB016		20		37	05SA521		15			48		05SB830			30	28	30	05SC030	30		
05SB216		22		37	05SA621		16					28									



1/2" x 5/16"

Versione (\*) / Type (\*) / Typ (\*) / Tipo (\*)

08B-1 12,7 x 7,75 mm

DIN 8187 ISO/R606

CATENA	CHAIN	KETTE	CHAÎNE	CADENA	ISO mm
Passo	Pitch	Teilung	Pas	Paso	12,7
Larghezza interna	Internal width	Innere Breite	Largeur interieure	Ancho interno	7,8
Rullo ø	Roller ø	Rollen ø	ø du rouleau	Rodillo ø	8,5

PIGNONE	SPROCKETS	KETTENRÄDER	PIGNONS	PIÑONES	
Raggio dente r	Tooth radius r	Radius r	Rayon de denture r	Radio diente r	r 13,0
Larghezza raggio C	Radius width C	Breite C	Largeur de rayon C	Ancho radio C	C 1,3
Largh. Dente h <sub>1</sub>	Tooth width h <sub>1</sub>	Zahnbreite h <sub>1</sub>	Larg. de denture h <sub>1</sub>	Ancho diente h <sub>1</sub>	h <sub>1</sub> 7,2

b-T-M pag. / page 19

Materiale C45E  
UNI EN 10083-1

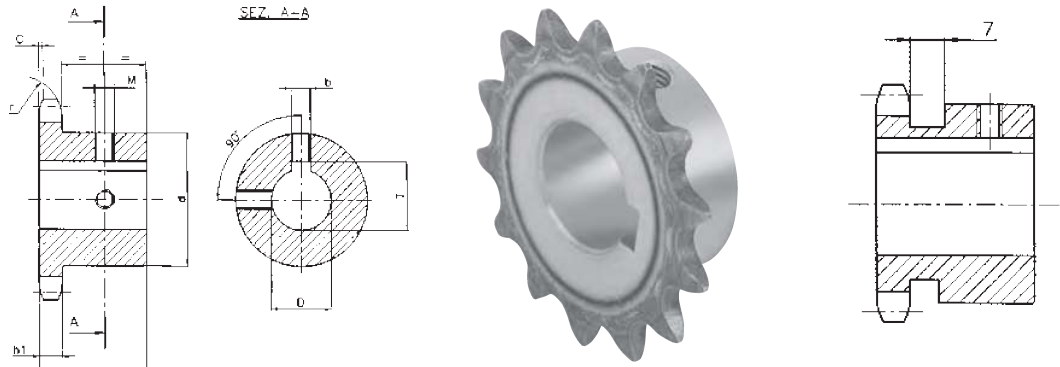
Material C45E  
UNI EN 10083-1

Werkstoff C45E  
UNI EN 10083-1

Matière C45E  
UNI EN 10083-1

Material C45E  
UNI EN 10083-1

Cod.	Z	D	H	d	Cod.	Z	D	H	d	Cod.	Z	D	H	d	Cod.	Z	D	H	d
09SA210	10	12	25	26	09SA515	15	15	28	45	09SC818	18	38	28	56	09SB822	22	28	28	70
09SA410		14		29*	09SA615		16			09SA619		16		09SC022	30				
09SA510		15		30*	09SA815		18			09SA819		18		09SC222	32				
09SA610	11	16	25	31*	09SA915	19	19	60	47	09SA919	19	19	28	70	09SC522	23	35	28	70
09SA211		12		29	09SB015		20			09SB019		20			09SC822		38		
09SA411		14		30	09SB215		22			09SB219		22			09SA923		19		
09SA511	12	15	28	31	09SB415	24	24	64	49*	09SB419	24	24	28	70	09SB023	24	20	28	70
09SA611		16		31	09SB515		25			09SB519		25			09SB223		22		
09SA811		18		34*	09SB815		28			09SB819		28			09SB423		24		
09SA911	13	19	28	35*	09SC015	30	30	68	53*	09SC019	30	30	28	70	09SB523	24	25	28	70
09SA212		12		32	09SC215		32			09SC219		32			09SB823		28		
09SA412		14		33	09SA516		15			09SC519		35			09SC023		30		
09SA512	14	15	41	33	09SA616	16	16	70	56	09SC819	38	38	30	80	09SC223	30	32	30	80
09SA612		16		35	09SA816		18			09SA620		16			09SC523		35		
09SA812		18		36	09SA916		19			09SA820		18			09SC823		38		
09SA912	15	19	28	38*	09SB016	20	20	70	59	09SA920	19	19	28	70	09SA924	24	19	28	70
09SB012		20		38*	09SB216		22			09SA920		20			09SB024		20		
09SB212		22		41*	09SB416		24			09SB220		22			09SB224		22		
09SB412	16	24	28	42*	09SB516	25	25	68	60	09SB420	24	24	28	70	09SB424	24	24	28	70
09SB512		25		42*	09SB816		28			09SB520		25			09SB524		25		
09SA213		12		30	09SC016		30			09SB820		28			09SB824		28		
09SA413	17	14	28	53*	09SC216	32	32	70	60	09SC020	30	30	28	70	09SC024	24	30	28	70
09SA513		15		37	09SA517		15			09SC220		32			09SC224		32		
09SA613		16		37	09SA617		16			09SC520		35			09SC524		35		
09SA813	18	18	28	37	09SA817	18	18	68	56	09SC820	38	38	28	70	09SC824	38	38	28	70
09SA913		19		42*	09SA917		19			09SA621		16			09SA925		19		
09SB013		20		45*	09SB017		20			09SA821		18			09SB025		20		
09SB213	19	22	28	52	09SB217	17	22	70	62	09SA921	19	19	28	70	09SB225	24	22	28	70
09SB413		24		42*	09SB417		24			09SB021		20			09SB425		24		
09SB513		25		45*	09SB517		25			09SB221		20			09SB525		25		
09SB813	20	28	28	56	09SB817	28	28	70	64	09SB421	24	24	28	70	09SB825	25	28	28	70
09SA214		12		30	09SC017		30			09SB521		25			09SC025		30		
09SA414		14		32	09SC217		32			09SB821		28			09SC225		32		
09SA514	21	15	28	59	09SA618	16	16	70	60	09SC021	30	30	28	70	09SC525	35	35	28	70
09SA614		16		41	09SA818		18			09SC221		32			09SC825		38		
09SA814		18		42*	09SA918		19			09SC521		35			09SB530		25		
09SA914	22	19	28	60	09SB018	20	20	70	62	09SC821	38	38	28	70	09SB830	30	28	28	70
09SB014		20		45*	09SB218		22			09SA622		16			09SC030		30		
09SB214		22		45*	09SB418		24			09SA822		18			09SC230		32		
09SB414	23	24	28	62	09SB518	25	25	70	64	09SA922	19	19	28	70	09SC530	35	35	28	70
09SB514		25		45*	09SB818		28			09SB022		22			09SC830		38		
09SB814		28		45*	09SC018		30			09SB422		24							
09SA215	24	12	28	64	09SC218	32	32	70	66	09SB522	25	25	28	70		30		28	70
09SA415		14		45	09SC518		35												



5/8" x 3/8"

Versione (\*) / Type (\*) / Typ (\*) / Tipo (\*)

10B-1 15,875 x 9,65 mm

DIN 8187 ISO/R606

CATENA	CHAIN	KETTE	CHAÎNE	CADENA	ISO mm
Passo	Pitch	Teilung	Pas	Paso	15,875
Larghezza interna	Internal width	Innere Breite	Largeur interieure	Ancho interno	9,700
Rullo ø	Roller ø	Rollen ø	ø du rouleau	Rodillo ø	10,000

PIGNONE	SPROCKETS	KETTENRÄDER	PIGNONS	PIÑONES	
Raggio dente r	Tooth radius r	Radius r	Rayon de denture r	Radio diente r	r 16,0
Larghezza raggio C	Radius width C	Breite C	Largeur de rayon C	Ancho radio C	C 1,6
Largh. Dente h <sub>1</sub>	Tooth width h <sub>1</sub>	Zahnbreite h <sub>1</sub>	Larg. de denture h <sub>1</sub>	Ancho diente h <sub>1</sub>	h <sub>1</sub> 9,1

b-T-M pag. / page 19

Materiale C45E  
UNI EN 10083-1

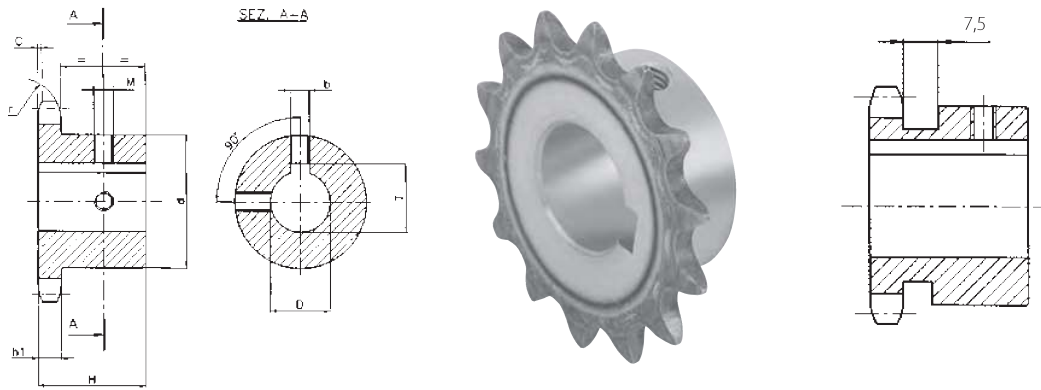
Material C45E  
UNI EN 10083-1

Werkstoff C45E  
UNI EN 10083-1

Matière C45E  
UNI EN 10083-1

Material C45E  
UNI EN 10083-1

Cod.	Z	D	H	d	Cod.	Z	D	H	d	Cod.	Z	D	H	d	Cod.	Z	D	H	d		
10SA510	10	15	25	35	10SB814	14	28	30	52	10SA919	19	19	30	70	10SC522	22	35	30	80	80	
10SA610		16			10SB019		20			10SC822		38									
10SA910		19			10SB219		22			10SD022		40									
10SB010		20			10SB419		24			10SD222		42									
10SB410		24			10SB519		25			10SA923		19									
10SA511	11	15	30	37	10SB215	15	22	30	57	10SB819	19	28	30	70	10SB023	23	20	30	80	80	
10SA611		16			10SB415		24			10SC019		30			30		10SB223				22
10SA811		18			10SB515		25			10SC219		32			35		10SB423				24
10SA911		19			10SB815		28			10SC519		35			38		10SB523				25
10SB011		20			10SC015		30			10SC819		38			40		10SB823				28
10SB411	24	10SC215	32	10SD019	40	42	10SC023	30	30	80											
10SB511	25	10SC515	35	10SD219	42	19	10SC223	32	24	30	80	10SC523	35								
10SB811	28	10SA916	19	10SB016	20	10SB020	20	10SC823				38									
10SC011	30	10SB216	22	10SB216	22	10SB220	22	10SD023				40									
10SA512	15	10SB416	24	10SB420	24	10SB420	24	10SD223				42									
10SA612	16	10SB516	25	10SB520	25	10SB820	28	10SA924				19									
10SA812	18	10SB816	28	10SB820	28	10SC020	30	10SB024	20												
10SA912	19	10SC016	30	10SC020	30	30	75	10SB224	22												
10SB012	20	10SC216	32	10SC220	32	35	10SB424	24													
10SB212	22	10SB516	25	10SC520	35	38	10SB524	25													
10SB412	24	10SC816	38	10SC820	38	40	10SB824	28													
10SB512	25	10SA917	19	10SD020	40	42	10SC024	30	25	30	80	10SC224	32								
10SB812	28	10SB017	20	10SD220	42	19	10SC524	35													
10SC012	30	10SB217	22	10SA921	19	20	10SC824	38													
10SC212	32	10SB417	24	10SB021	20	22	10SD024	40													
10SA513	15	10SB517	25	10SB221	22	24	10SD224	42													
10SA613	16	10SB817	28	10SB421	24	25	10SA925	19													
10SA813	18	10SC017	30	10SB521	25	28	10SB025	20													
10SA913	19	10SC217	32	10SB821	28	30	10SB225	22													
10SB013	20	10SC517	35	10SC021	30	30	10SB425	24													
10SB213	22	10SB817	38	10SC221	32	35	10SB525	25													
10SB413	24	10SA918	19	10SC521	35	38	10SB825	28													
10SB513	25	10SB018	20	10SC821	38	40	10SB825	28													
10SB813	28	10SB218	22	10SD021	40	42	10SC025	30	25	30	80	10SC225	32								
10SC013	30	10SB418	24	10SD221	42	19	10SC525	35													
10SC213	32	10SB518	25	10SA922	19	20	10SC825	38													
10SA514	15	10SB818	28	10SB022	20	22	10SD025	40													
10SA614	16	10SC018	30	10SB222	22	24	10SD225	42													
10SA814	18	10SC218	32	10SB422	24	25															
10SA914	19	10SC518	35	10SB522	25	28															
10SB014	20	10SC818	38	10SB822	28	30															
10SB214	22	10SD018	40	10SC022	30	32															
10SB414	24	10SD218	42	10SC222	32																
10SB514	25																				



3/4" x 7/16"

Versione (\*) / Type (\*) / Typ (\*) / Tipo (\*)

12B-1 19,05 x 11,68 mm

DIN 8187 ISO/R606

CATENA	CHAIN	KETTE	CHAÎNE	CADENA	ISO mm
Passo	Pitch	Teilung	Pas	Paso	19,05
Larghezza interna	Internal width	Innere Breite	Largeur interieure	Ancho interno	11,68
Rullo ø	Roller ø	Rollen ø	ø du rouleau	Rodillo ø	12,07

PIGNONE	SPROCKETS	KETTENRÄDER	PIGNONS	PIÑONES	
Raggio dente r	Tooth radius r	Radius r	Rayon de denture r	Radio diente r	r 19,0
Larghezza raggio C	Radius width C	Breite C	Largeur de rayon C	Ancho radio C	C 2,0
Largh. Dente h <sub>1</sub>	Tooth width h <sub>1</sub>	Zahnbreite h <sub>1</sub>	Larg. de denture h <sub>1</sub>	Ancho diente h <sub>1</sub>	h <sub>1</sub> 11,1

b-T-M pag. / page 19

Materiale C45E  
UNI EN 10083-1

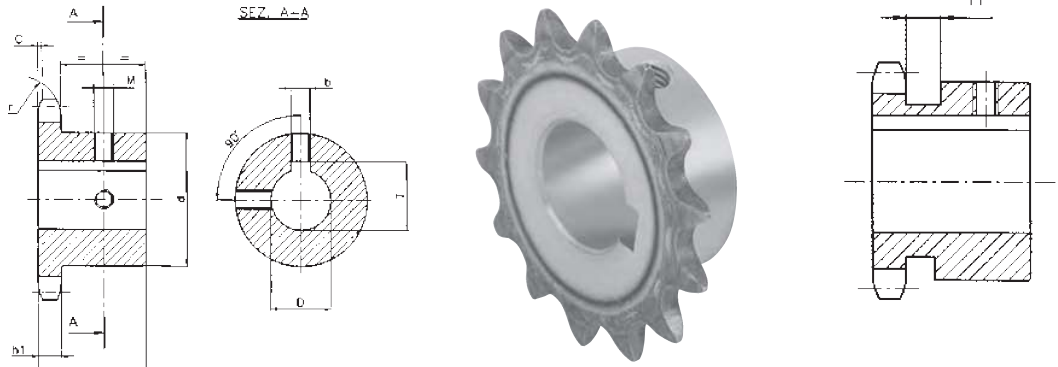
Material C45E  
UNI EN 10083-1

Werkstoff C45E  
UNI EN 10083-1

Matière C45E  
UNI EN 10083-1

Material C45E  
UNI EN 10083-1

Cod.	Z	D	H	d	Cod.	Z	D	H	d	Cod.	Z	D	H	d	Cod.	Z	D	H	d
11SA910	10	19	30	42	11SA915	15	19	35	70	11SD019	19	40	35	80	11SD023	23	40	40	90
11SB010		20			11SB015		20			11SD219		42			11SD223		42		
11SB410		24			11SB215		22			11SD519		45			11SD523		45		
11SB510		25			11SB415		24			11SD819		48			11SD823		48		
11SB810		28			11SB515		25			11SE019		50			11SE023		50		
11SC010	30	11SB815	28	11SB520	25	11SB524	25												
11SC210	32	11SC015	30	11SB820	28	11SB824	28												
11SA911	11	19	35	46	11SC215	32	11SC024	30											
11SB011		20			11SC515	35	11SC224	32											
11SB411		24			11SC815	38	11SC524	35											
11SB511		25			11SD015	40	11SC824	38											
11SB811		28			11SA916	19	11SD024	40											
11SC011	30	11SB016	20	11SD224	42														
11SC211	32	11SB216	22	11SD524	45														
11SA912	12	19	35	52	11SB416	24	11SD824	48											
11SB012		20			11SB516	25	11SE024	50											
11SB212		22			11SB816	28	11SB525	25											
11SB412		24			11SC016	30	11SB825	28											
11SB512		25			11SC216	32	11SC025	30											
11SB812	28	11SC516	35	11SC225	32														
11SC012	30	11SC816	38	11SC525	35														
11SC212	32	11SD016	40	11SC825	38														
11SC512	35	11SB517	25	11SD025	40														
11SA913	13	19	35	58	11SB817	28	11SD225	42											
11SB013		20			11SC017	30	11SD525	45											
11SB213		22			11SC217	32	11SD825	48											
11SB413		24			11SC517	35	11SE025	50											
11SB513		25			11SC817	38	11SB522	25											
11SB813	28	11SD017	40	11SB822	28														
11SC013	30	11SD217	42	11SC022	30														
11SC213	32	11SB518	25	11SC222	32														
11SC513	35	11SB818	28	11SC522	35														
11SC813	38	11SC018	30	11SC822	38														
11SA914	14	19	35	64	11SC218	32	11SD022	40											
11SB014		20			11SC518	35	11SD222	42											
11SB214		22			11SC818	38	11SD522	45											
11SB414		24			11SD018	40	11SD822	48											
11SB514		25			11SD218	42	11SE022	50											
11SB814	28	11SB519	25	11SB523	25														
11SC014	30	11SB819	28	11SB823	28														
11SC214	32	11SC019	30	11SC023	30														
11SC514	35	11SC219	32	11SC223	32														
11SC814	38	11SC519	35	11SC523	35														
11SD014	40	11SC819	38	11SC823	38														



1" x 17,02 mm

Versione (\*) / Type (\*) / Typ (\*) / Tipo (\*)

16B-1 25,4 x 17,02 mm

DIN 8187 ISO/R606

CATENA	CHAIN	KETTE	CHAÎNE	CADENA	ISO mm
Passo	Pitch	Teilung	Pas	Paso	25,40
Larghezza interna	Internal width	Innere Breite	Largeur interieure	Ancho interno	17,02
Rullo ø	Roller ø	Rollen ø	ø du rouleau	Rodillo ø	15,88

PIGNONE	SPROCKETS	KETTENRÄDER	PIGNONS	PIÑONES	
Raggio dente r	Tooth radius r	Radius r	Rayon de denture r	Radio diente r	r 26,0
Larghezza raggio C	Radius width C	Breite C	Largeur de rayon C	Ancho radio C	C 2,5
Largh. Dente h <sub>1</sub>	Tooth width h <sub>1</sub>	Zahnbreite h <sub>1</sub>	Larg. de denture h <sub>1</sub>	Ancho diente h <sub>1</sub>	h <sub>1</sub> 16,2

b-T-M pag. / page 19

Materiale C45E  
UNI EN 10083-1

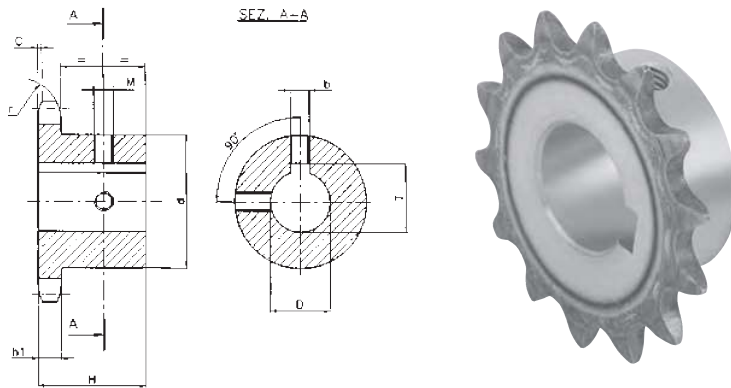
Material C45E  
UNI EN 10083-1

Werkstoff C45E  
UNI EN 10083-1

Matière C45E  
UNI EN 10083-1

Material C45E  
UNI EN 10083-1

CODICE	Z	D	H	d	CODICE	Z	D	H	d	CODICE	Z	D	H	d	CODICE	Z	D	H	d	
12SB511	11	25	40	61	12SD015	15	40	40	92	12SD019	19	40	45	100	12SD023	23	40	50	110	
12SB811		28			12SD215		42			12SD219		42			12SD223		42			
12SC011		30			12SD515		45			12SD519		45			12SD523		45			
12SC211		32			12SD815		48			12SD819		48			12SD823		48			
12SC511		35			12SE015		50			12SE019		50			12SE023		50			
12SC811	12	38	40	69	12SB516	16	25	45	100	12SB520	20	25	45	100	12SB524	24	25	50	110	
12SD011		40			12SB816		28			12SB820		28			12SB824		28			
12SD211		42			12SC016		30			12SC020		30			12SC024		30			
12SB512		25			12SC216		32			12SC220		32			12SC224		32			
12SB812		28			12SC516		35			12SC520		35			12SC524		35			
12SC012	30	12SC816	38	12SC820	38	12SC824	38													
12SC212	32	12SD016	40	12SD020	40	12SD024	40													
12SC512	35	12SD216	42	12SD220	42	12SD224	42													
12SC812	38	12SD516	45	12SD520	45	12SD524	45													
12SD012	40	12SD816	48	12SD820	48	12SD824	48													
12SD212	42	12SE016	50	12SE020	50	12SE024	50													
12SB513	13	25	40	78	12SB517	17	25	45	100	12SB521	21	25	50	110	12SB525	25	25	50	110	
12SB813		28			12SB817		28			12SB821		28			12SB825		28			
12SC013		30			12SC017		30			12SC021		30			12SC025		30			
12SC213		32			12SC217		32			12SC221		32			12SC225		32			
12SC513		35			12SC517		35			12SC521		35			12SC525		35			
12SC813	38	12SC817	38	12SC821	38	12SC825	38													
12SD013	40	12SD017	40	12SD021	40	12SD025	40													
12SD213	42	12SD217	42	12SD221	42	12SD225	42													
12SD513	45	12SD517	45	12SD521	45	12SD525	45													
12SD813	48	12SD817	48	12SD821	48	12SD825	48													
12SE013	50	12SE017	50	12SE021	50	12SE025	50													
12SB514	14	25	40	84	12SB518	18	25	45	100	12SB522	22	25	50	110						
12SB814		28			12SB818		28			12SB822		28			12SB826					28
12SC014		30			12SC018		30			12SC022		30			12SC026					30
12SC214		32			12SC218		32			12SC222		32			12SC226					32
12SC514		35			12SC518		35			12SC522		35			12SC526					35
12SC814	38	12SC818	38	12SC822	38	12SC826	38													
12SD014	40	12SD018	40	12SD022	40	12SD026	40													
12SD214	42	12SD218	42	12SD222	42	12SD226	42													
12SD514	45	12SD518	45	12SD522	45	12SD526	45													
12SD814	48	12SD818	48	12SD822	48	12SD826	48													
12SE014	50	12SE018	50	12SE022	50	12SE026	50													
12SB515	15	25	40	92	12SB519	19	25	45	100	12SB523	23	25	50	110						
12SB815		28			12SB819		28			12SB823		28			12SB827					28
12SC015		30			12SC019		30			12SC023		30			12SC027					30
12SC215		32			12SC219		32			12SC223		32			12SC227					32
12SC515		35			12SC519		35			12SC523		35			12SC527					35
12SC815	38	12SC819	38	12SC823	38	12SC827	38													



1" 1/4 x 3/4"

20B-1 31,75 x 19,56 mm

DIN 8187 ISO/R606

CATENA	CHAIN	KETTE	CHAÎNE	CADENA	ISO mm
Passo	Pitch	Teilung	Pas	Paso	31,75
Larghezza interna	Internal width	Innere Breite	Largeur interieure	Ancho interno	19,56
Rullo ø	Roller ø	Rollen ø	ø du rouleau	Rodillo ø	19,05

PIGNONE	SPROCKETS	KETTENRÄDER	PIGNONS	PIÑONES	
Raggio dente r	Tooth radius r	Radius r	Rayon de denture r	Radio diente r	r 32,0
Larghezza raggio C	Radius width C	Breite C	Largeur de rayon C	Ancho radio C	C 3,5
Largh. Dente h <sub>1</sub>	Tooth width h <sub>1</sub>	Zahnbreite h <sub>1</sub>	Larg. de denture h <sub>1</sub>	Ancho diente h <sub>1</sub>	h <sub>1</sub> 18,5

b-T-M pag. / page 19

Materiale C45E  
UNI EN 10083-1

Material C45E  
UNI EN 10083-1

Werkstoff C45E  
UNI EN 10083-1

Matière C45E  
UNI EN 10083-1

Material C45E  
UNI EN 10083-1

CODICE	Z	D	H	d
13SB509	09	25	40	63
13SC009		30		
13SC209		32		
13SC509		35		
13SC809		38		
13SB510	10	25	40	70
13SC010		30		
13SC210		32		
13SC510		35		
13SC810		38		
13SB511	11	25	45	77
13SB811		28		
13SC011		30		
13SC211		32		
13SC511		35		
13SC811		38		
13SD011		40		
13SD211		42		
13SD511		45		
13SE011		50		
13SF011		60		
13SB512	12	25	45	88
13SB812		28		
13SC012		30		
13SC212		32		
13SC512		35		
13SC812		38		
13SD012		40		
13SD212		42		
13SD512		45		
13SD812		48		
13SE012		50		
13SF012		60		
13SB513	13	25	45	98
13SB813		28		
13SC013		30		

CODICE	Z	D	H	d
13SC213	13	32	45	98
13SC513		35		
13SC813		38		
13SD013		40		
13SD213		42		
13SD513		45		
13SD813		48		
13SE013		50		
13SF013		60		
13SC214		14		
13SC514	35			
13SC814	38			
13SD014	40			
13SD214	42			
13SD514	45			
13SC814	48			
13SE014	50			
13SF014	60			
13SC215	15		32	45
13SC515		35		
13SC815		38		
13SD015		40		
13SD215		42		
13SD515		45		
13SD815		48		
13SE015		50		
13SF015		60		
13SC816		16	38	
13SD016	40			
13SD216	42			
13SD516	45			
13SD816	48			
13SE016	50			
13SF016	60			
13SF516	65			
13SG016	70			

CODICE	Z	D	H	d
13SC817	17	38	50	120
13SD017		40		
13SD217		42		
13SD517		45		
13SD817		48		
13SE017	50			
13SF017	60			
13SF517	65			
13SG017	70			
13SC818	18	38	50	120
13SD018		40		
13SD218		42		
13SD518		45		
13SD818		48		
13SE018		50		
13SF018		60		
13SF518		65		
13SG018		70		
13SC819		19		
13SD019	40			
13SD219	42			
13SD519	45			
13SD819	48			
13SE019	50			
13SF019	60			
13SF519	65			
13SG019	70			
13SC820	20		38	50
13SD020		40		
13SD220		42		
13SD520		45		
13SD820		48		
13SE020		50		
13SF020		60		
13SF520		65		
13SG020		70		